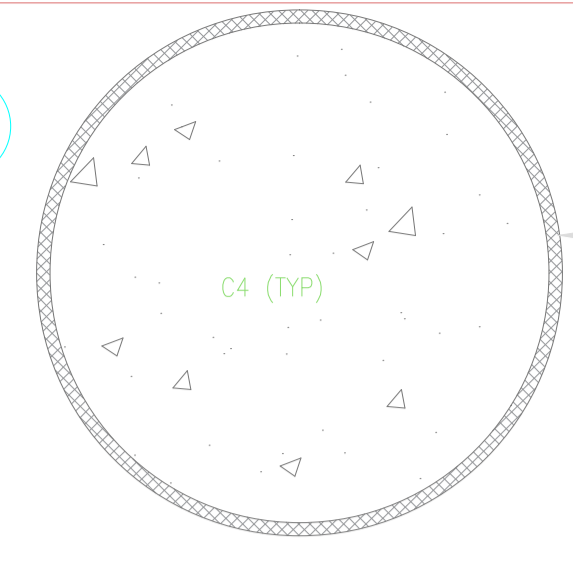
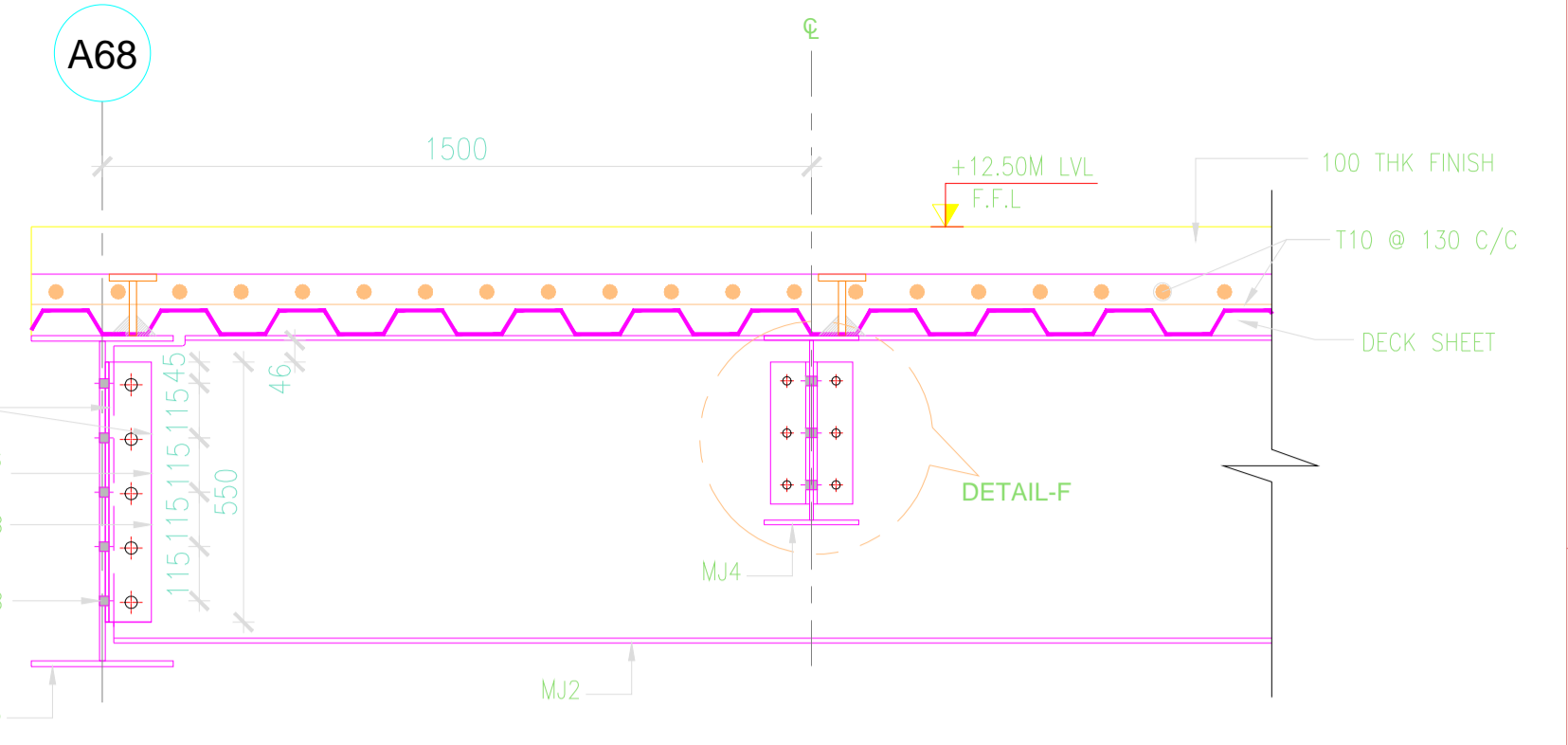


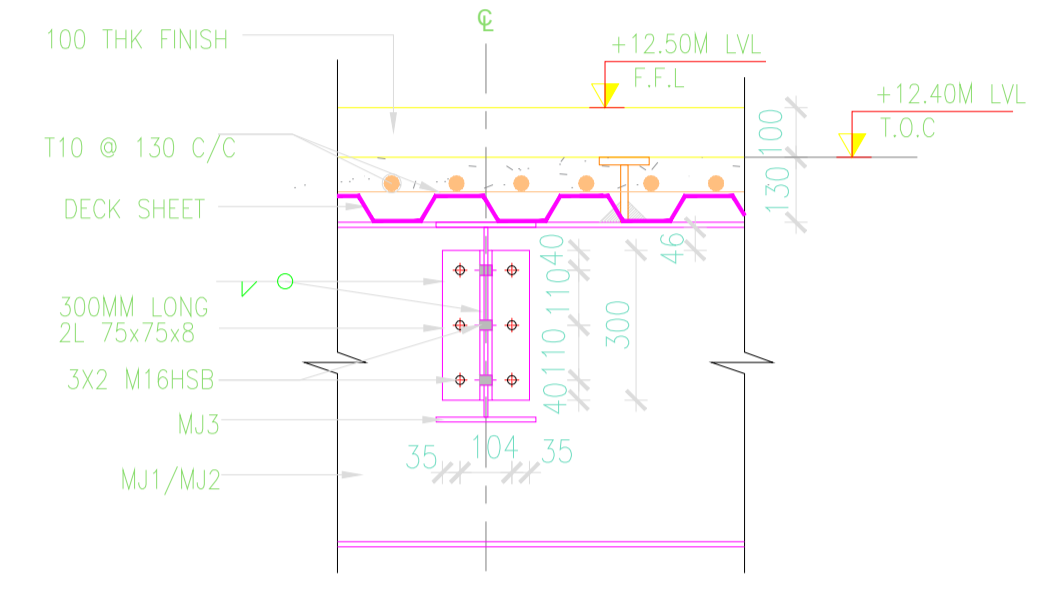
**ELEVATION ALONG I-I**  
SCALE 1:30



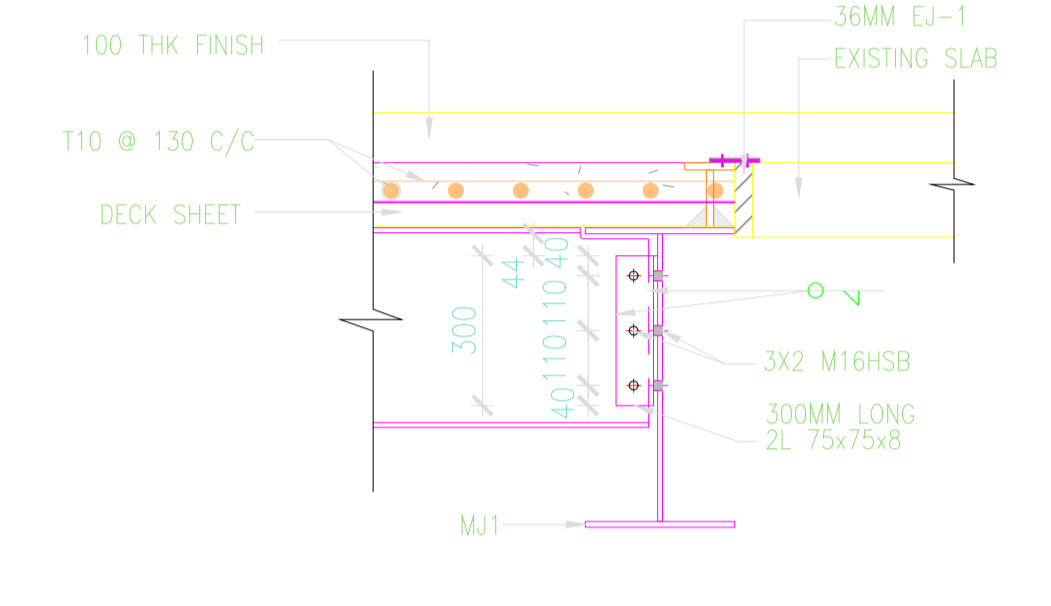
**TYPICAL RC COLUMN STRENGTHEN DETAILS**  
SCALE 1:15



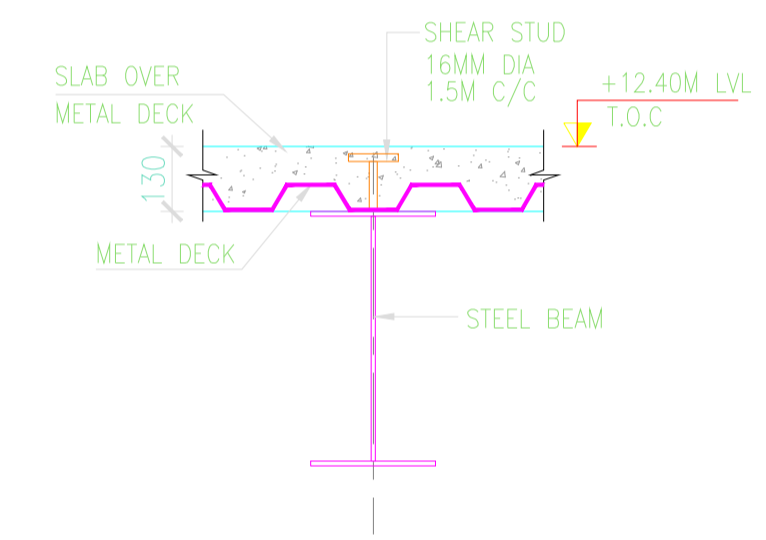
**SECTION D-D**  
SCALE 1:15



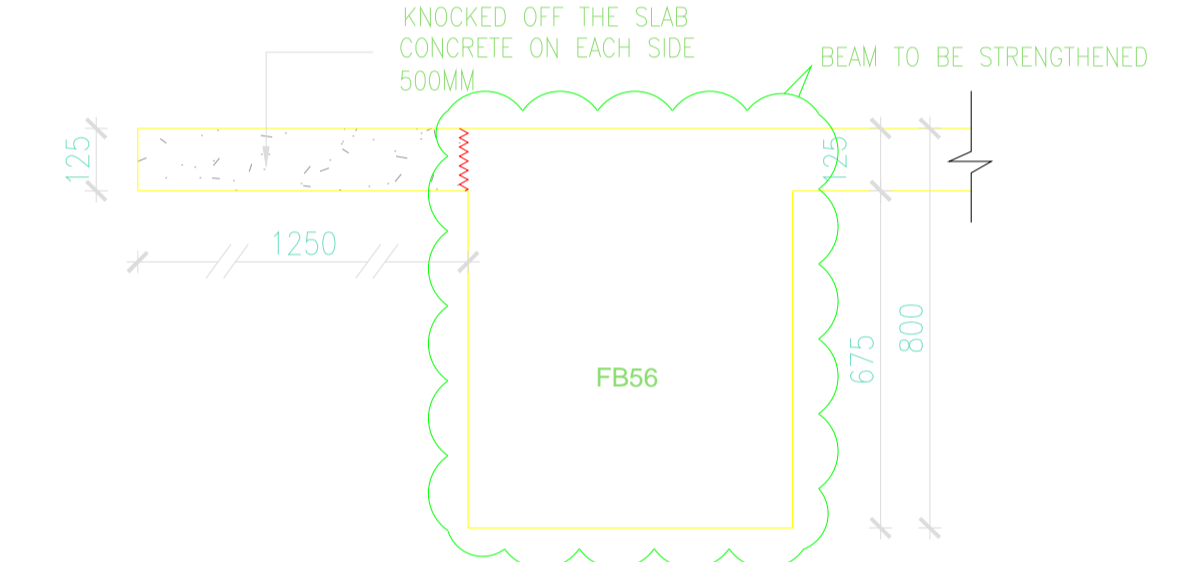
**SECTION E-E**  
SCALE 1:15



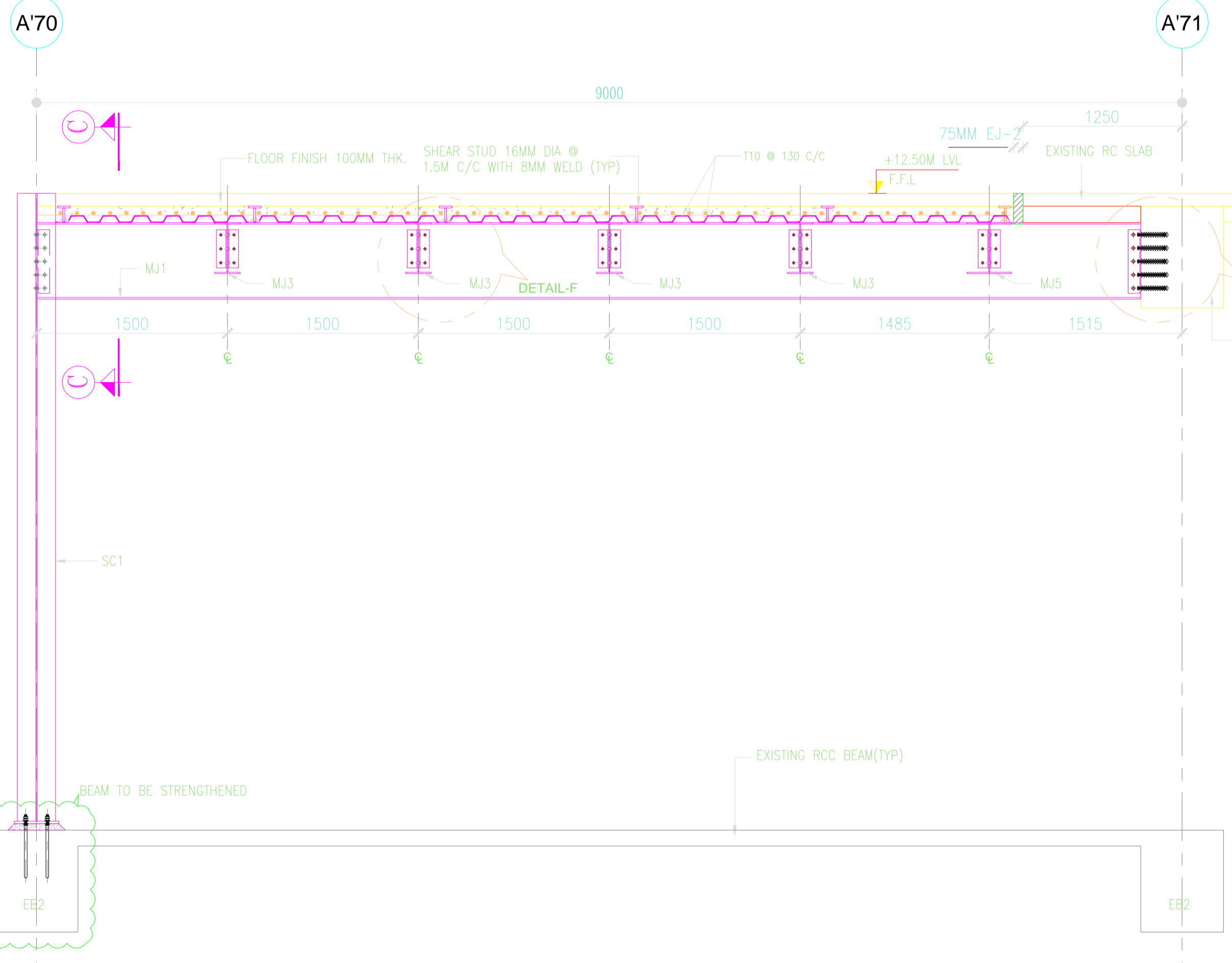
**SECTION F-F**  
SCALE 1:15



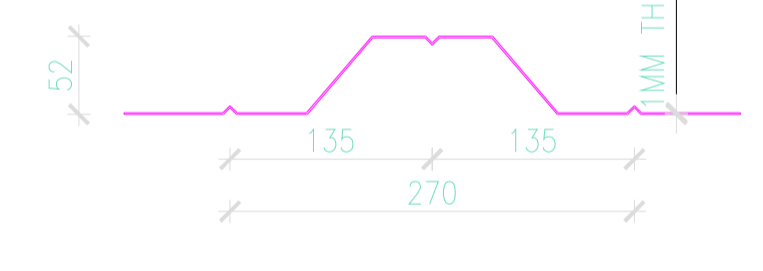
**TYPICAL SHEAR STUD DETAILS**  
SCALE 1:15



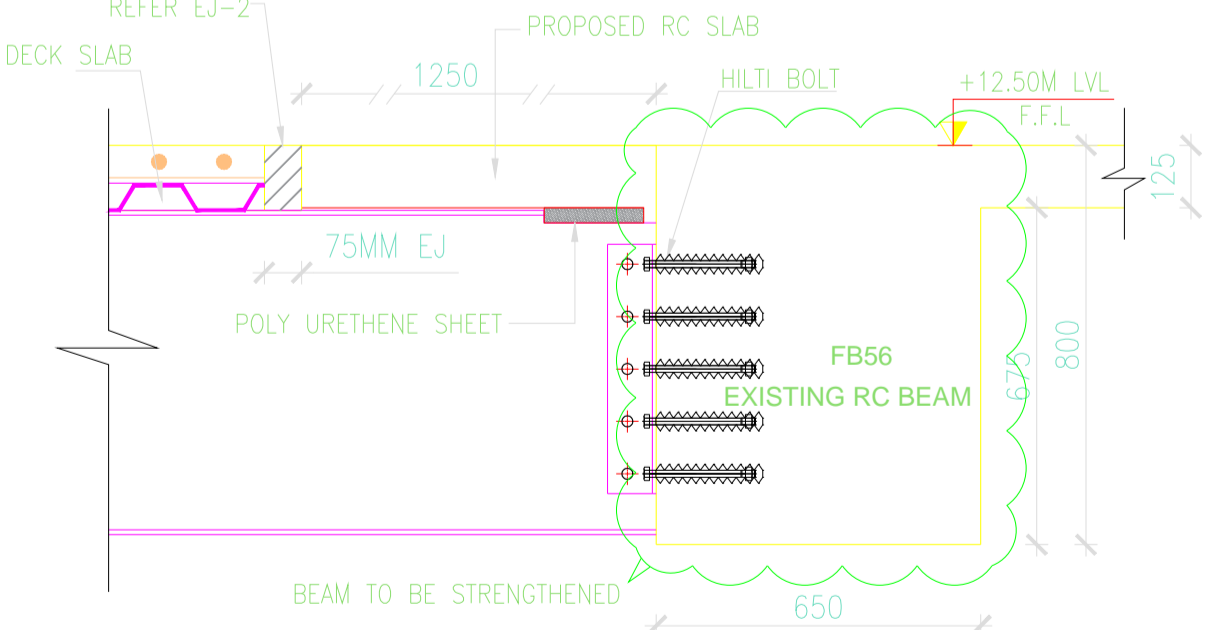
**STEP-1 CONCRETE TO BE KNOCKED OFF**  
SCALE 1:15



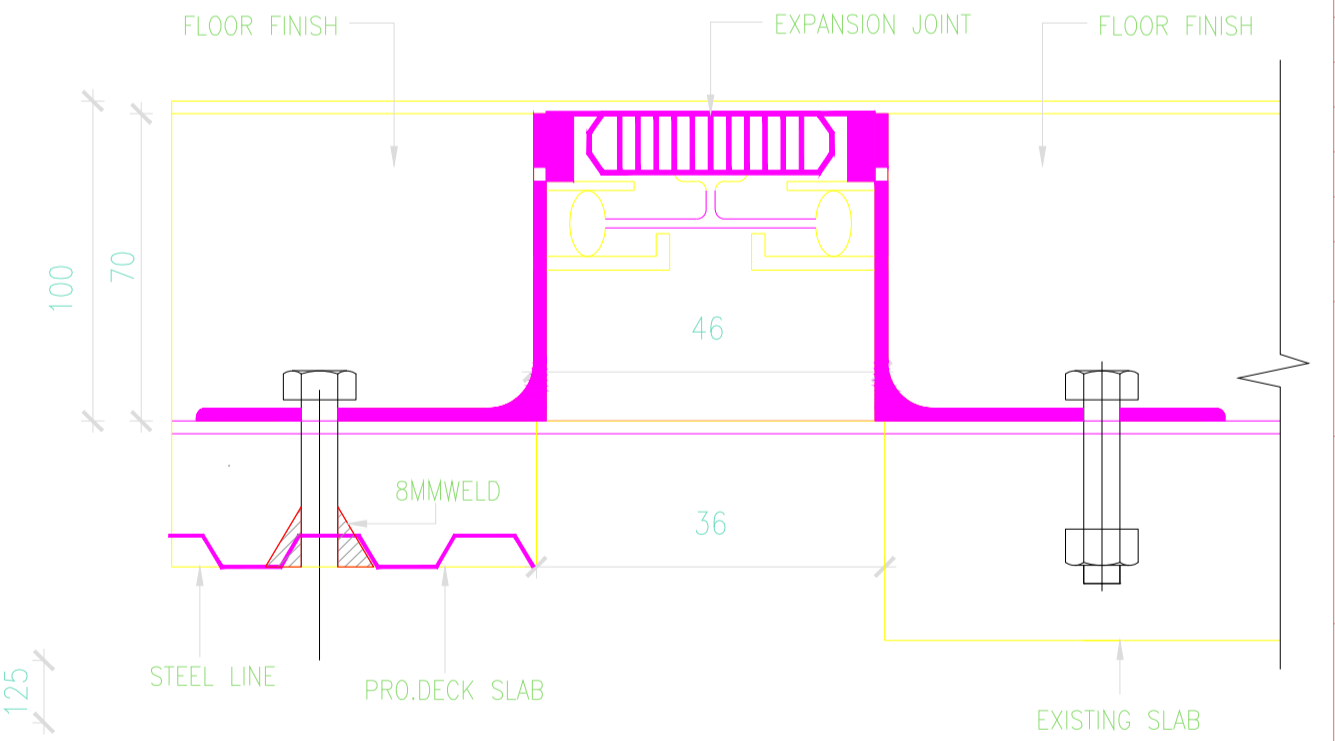
**ELEVATION ALONG I-J**  
SCALE 1:30



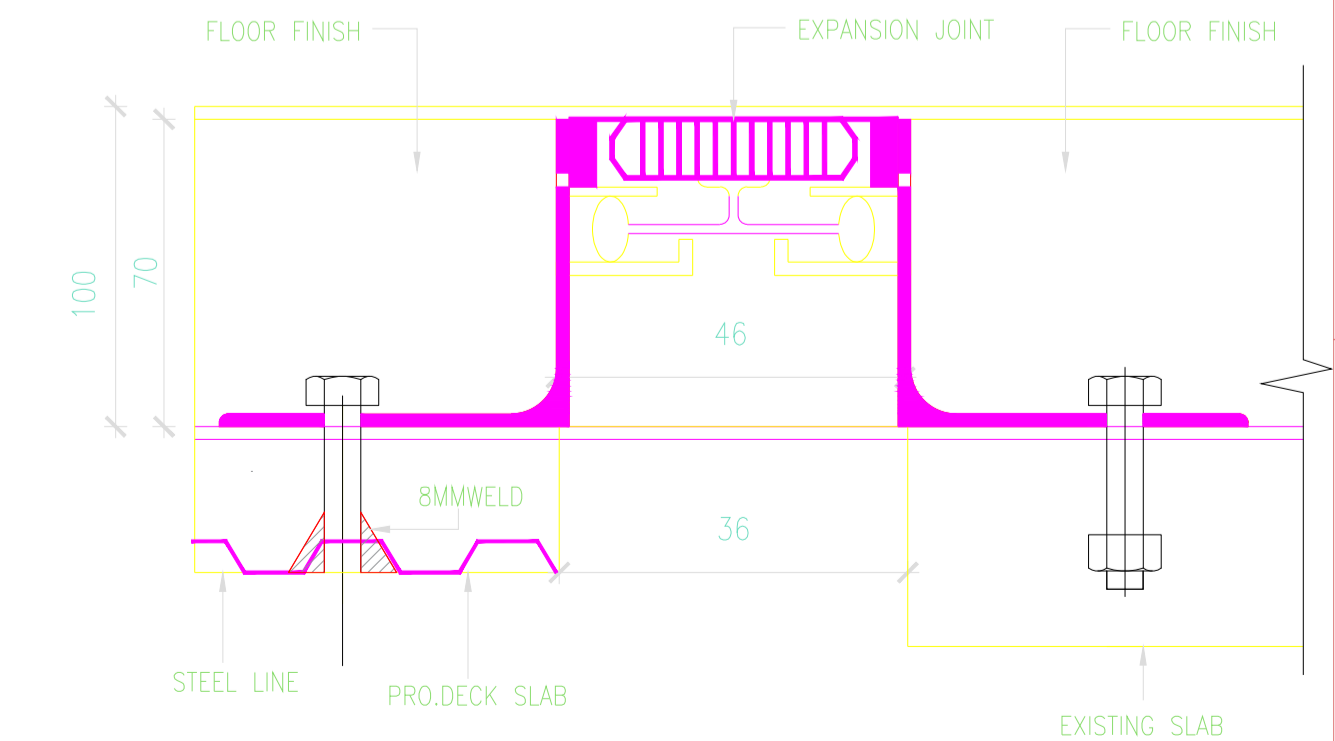
**TYPICAL DECK DETAILS**  
SCALE 1:5



**STEP-2 AFTER STEP -1 STEEL CONNECTION TO BE DONE AND FINISH WITH M40 CONCRETE UPTO 1250MM LONG R.C.C SLAB NUMERATION DETAIL FOR EJ-2**



**TYPICAL EXPANSION JOINT DETAILS-1 EJ-1 (REACT 100 SERIES 100-A01-30)**



**TYPICAL EXPANSION JOINT DETAILS-1 EJ-1 (REACT 100 SERIES 100-A01-30)**